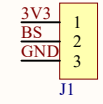
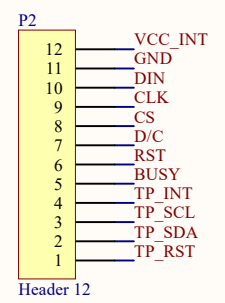


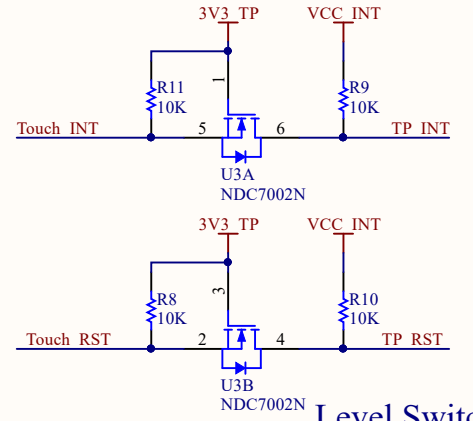
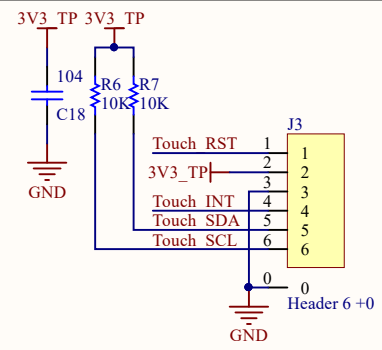
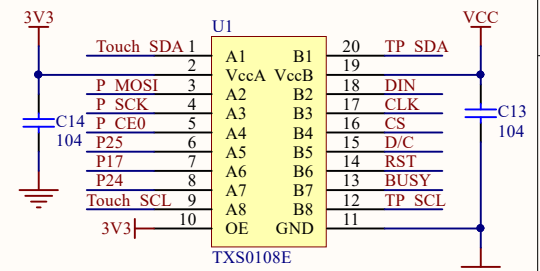
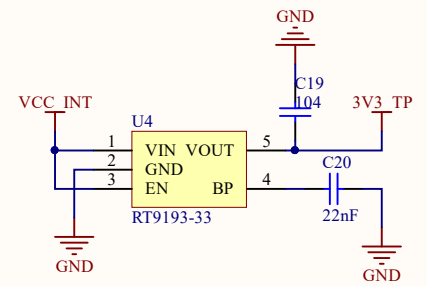
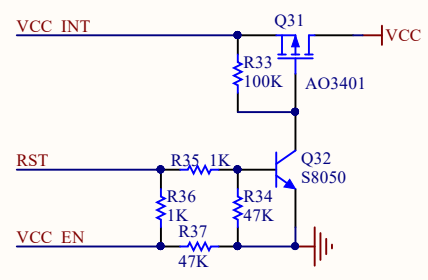
	VCC	GND
BS	3-line SPI	4-line SPI



2.13inch Touch e-Paper HAT V1.1



Interface

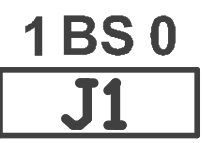
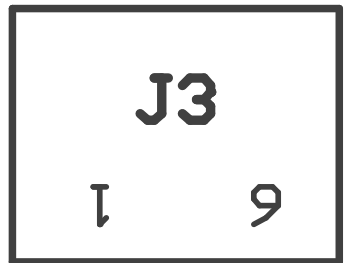
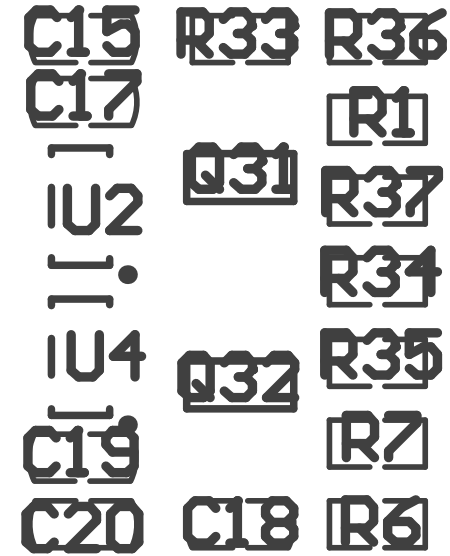
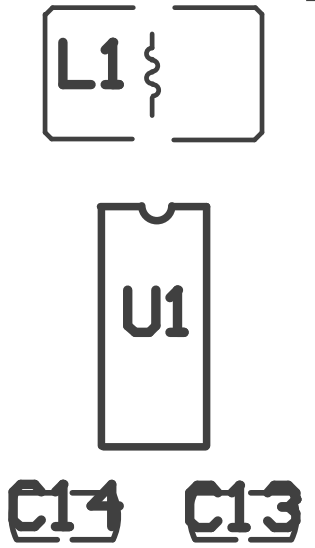
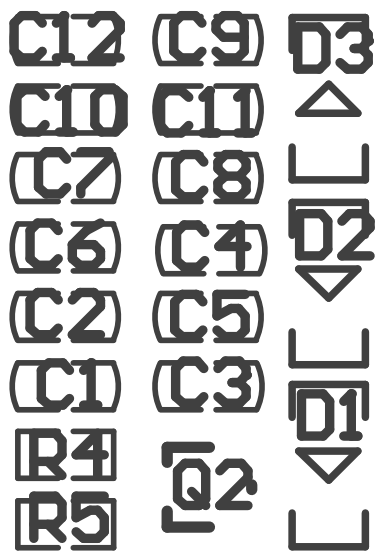


SDA INT ERST CS DIN VCC



TRST SCL BUSY DC CLK GND

2.13inch Touch e-Paper HAT



P1

